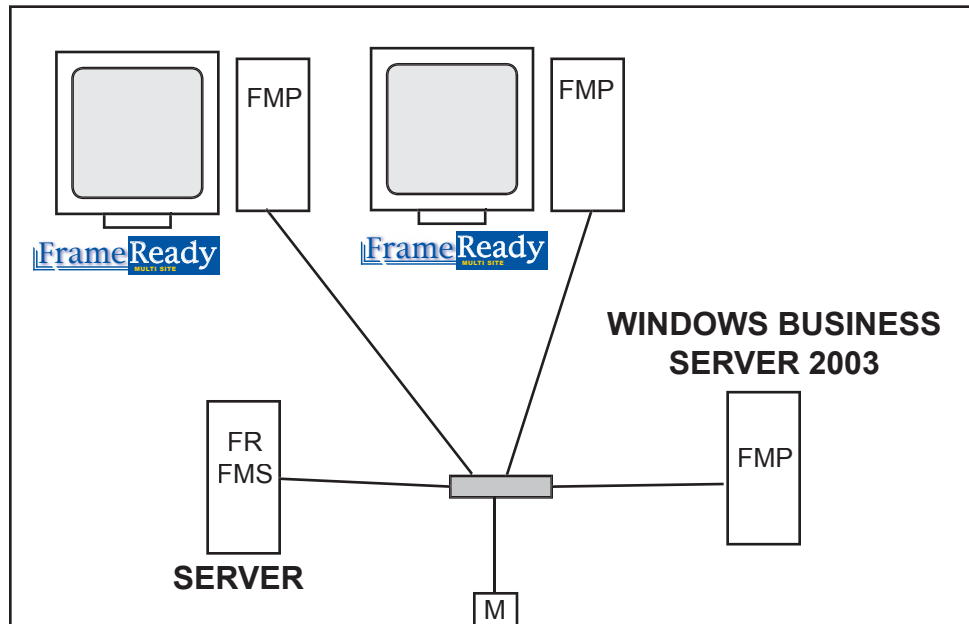


FrameReady Multi Site set up

Main Store with 2 computers



MAIN STORE

Intall FileMaker Pro on all computers (except the Server).

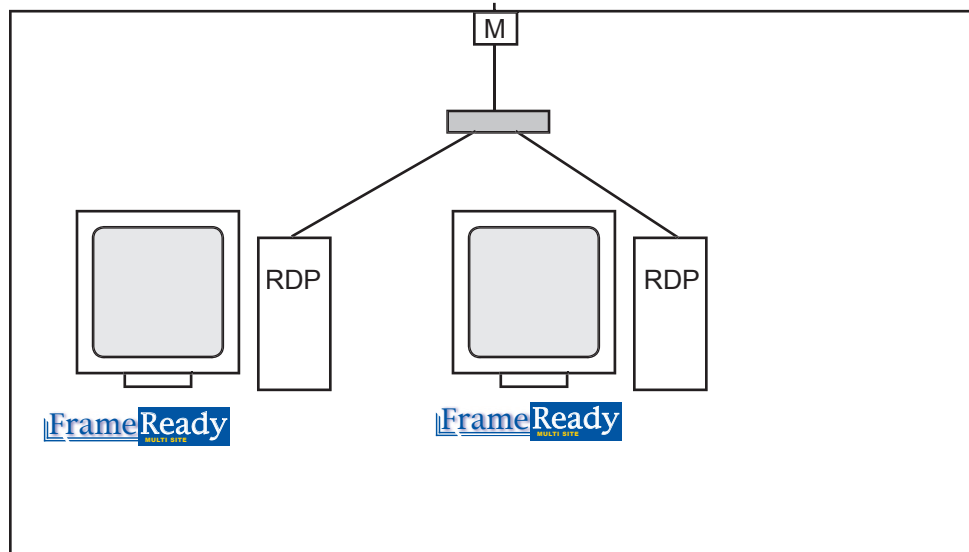
On the SERVER computer, Install FileMaker Server 9.0 and FrameReady 6.1 Multi Site.

REMOTE STORE

Computers access FrameReady files through RDP Terminal Services

Gateway or Port open to Internet

Remote Store with 2 computers



LEGEND

- FR FrameReady installed
- FMP FileMaker Pro installed
- FMS FileMaker Server
- RDP Remote Desktop Protocol
- M Modem
- Switch
- Computer Hard Drive /Tower



Terminals where you will be able to access FrameReady